



# PT.SELATAN JADI JAYA

FACTORY :  
 Jl.Raya Panjunan No.8  
 Desa Panjunan Kec.Sukodono (61258)  
 Sidoarjo, Jatim-Indonesia

Telp : 62-31 787251 - 12 (Hunting)  
 Fax : 62 -31 7885579

## FORCE SERIES

### VRLA (12V65 AH)

#### Product Specification

Nominal Voltage	12V	
Nominal Capacity (20HR)	65 AH	
Dimensions	Length	350±1mm (13.77 inches)
	Width	168±1mm (6.61 inches)
	Container Height	178±1mm (7.00 inches)
	Total Height (with terminal)	185±1mm (7.28 inches)
Approx Weight	Approx 21.80 kg (48.06 lbs)	
Terminal	F12 (with M6 Bolt)	
Container Material	ABS Plastic	
Lead Material	Purity Lead 99.995%	
Sulfuric Acid	Distilled Sulfuric Acid (Zero metal content)	
Separator	AGM	
Rated Capacity	65.0 AH/3.25A	(20hr , 1.80V/cell,25°C/77°F)
	60.6AH/6.06A	(10hr , 1.80V/cell,25°C/77°F)
	55.3AH/11.05A	(5hr , 1.75V/cell,25°C/77°F)
	49.62AH/16.54A	(3hr , 1.75V/cell,25°C/77°F)
	40.8AH/40.8A	(1hr , 1.60V/cell,25°C/77°F)
Max. Discharge Current	780A (5s)	
Internal Resistance	Approx 7.3 mΩ	
Operating Temp.Range	Discharge	-15~50°C (5~122°F)
	Charge	0~40°C (32~104°F)
	Storage	-15~40°C (5~104°F)
Nominal Operating Temp.Range	25±3°C (77±5°F)	
Cycle Use	Initial Charging Current less than 19.5A. Voltage 14.5V~14.9V at 25°C (77°F) Temp.Coefficient -15mV/°C	
Standby Use	No limit on Initial Charging Current. Voltage 13.5V~13.8V at 25°C (77°F) Temp.Coefficient -10mV/°C	
Capacity affected by Temperature	40°C (104°F)	103%
	25°C (77°F)	100%
	0°C (32°F)	86%
Self Discharge	Force series batteries may be stored for up to 6 months at 25°C(77°F) and then a freshening charge is required. For higher temperatures the time interval will be shorter.	



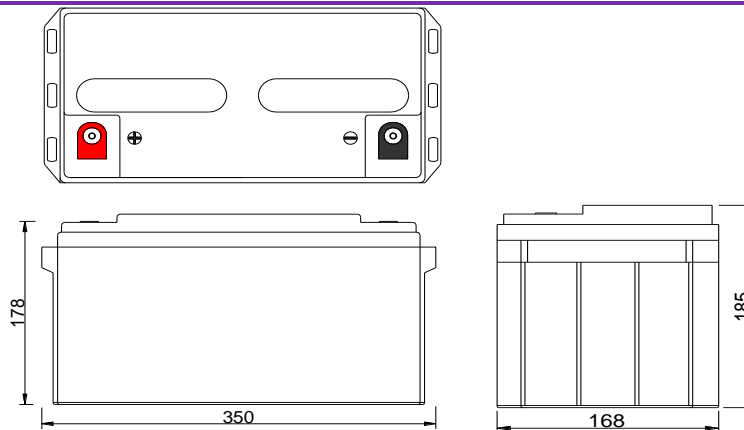
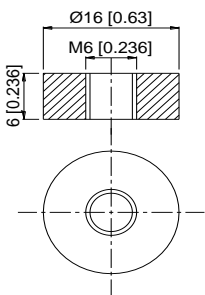
#### Applications

- All purpose
- Uninterruptable Power Supply (UPS)
- Electric Power System (EPS)
- Emergency backup power supply
- Emergency light
- Railway signal
- Aircraft signal
- Alarm and security system
- Electronic apparatus and equipment
- Communication power supply
- DC power supply
- Auto control system

#### Dimensions

##### ▲ F12(M6) Terminal

Unit : mm (inches)



#### Constant Current Discharge (Ampere) at 25°C (77°F)

F.V/Time	5min	10min	15min	20min	30min	45min	1h	2h	3h	4h	5h	6h	8h	10h	20h
1.85V/cell	178.8	127.1	104.1	87.35	64.89	47.61	37.43	22.28	16.24	12.97	10.85	9.20	7.21	5.94	3.20
1.80V/cell	204.1	136.4	111.7	93.75	67.12	47.94	37.69	22.44	16.35	13.06	10.93	9.38	7.36	6.06	3.25
1.75V/cell	214.0	138.0	113.0	94.81	67.88	48.48	38.12	22.69	16.54	13.21	11.05	9.53	7.47	6.16	3.32
1.70V/cell	231.7	144.9	118.7	99.58	71.30	50.93	40.04	22.98	16.75	13.38	11.20	9.65	7.57	6.24	3.35
1.65V/cell	269.8	165.8	125.7	100.75	72.13	51.52	40.51	23.25	16.95	13.54	11.33	9.77	7.66	6.31	3.39
1.60V/cell	274.8	167.1	126.6	101.49	72.67	51.90	40.81	23.42	17.07	13.64	11.41	9.84	7.72	6.36	3.41

#### Constant Power Discharge (Watts/cell) at 25°C (77°F)

F.V/Time	5min	10min	15min	20min	30min	45min	1h	2h	3h	4h	5h	6h	8h	10h	20h
1.85V/cell	339.7	242.6	200.5	164.4	123.6	91.5	74.42	44.56	33.01	26.62	22.56	19.62	15.57	12.03	6.51
1.80V/cell	387.8	277.0	213.1	174.7	131.3	97.3	79.09	47.36	35.08	27.84	23.20	20.18	15.89	12.27	6.57
1.75V/cell	395.9	282.8	217.5	178.3	134.1	99.3	80.74	48.35	35.81	28.42	23.69	20.60	16.22	12.44	6.68
1.70V/cell	428.7	306.2	235.6	193.1	138.9	100.7	79.89	46.18	33.46	26.56	22.13	19.76	15.56	12.47	6.73
1.65V/cell	485.6	303.5	233.5	191.4	137.7	99.8	79.18	45.77	33.17	26.32	21.94	19.59	15.79	12.62	6.78
1.60V/cell	494.7	309.2	237.8	194.9	140.3	101.6	80.66	46.62	33.79	26.81	22.34	19.95	16.09	12.71	6.81